



Kingfisher Lighting

Datasheet

Quarto

A stylish, modern bulkhead available with LED emergency and photocell. Quarto is suited to building and perimeter lighting.



Key Features

	Source Lumens	Luminaire Lumens	Power
LED	1,809 - 2,295	1,350 - 1,900	15W - 20W
Compact fluorescent	2,400 - 3,200	-	32W - 42W

- 525mA & 700mA
- Efficacy 139 luminaire lm/W
- 4000K (LED), 3000K (compact fluorescent)
CRI >75
- Lifetime >70,000-90,000hr L80
- Wall mounted/bulkhead

Applications

- Retail parks
- Pathways
- Civic areas
- Façade lighting
- Pedestrian areas
- Office
- Leisure/hospitality
- Perimeter lighting



Optics

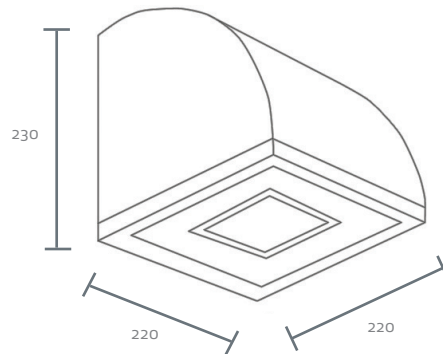
Quarto

Symmetrical & asymmetrical - street light optic, pedestrian & cycle path optic, urban light optic, flood light optic

Specification Text

The LED luminaire shall be manufactured from high-pressure die-cast aluminium. It shall be capable of producing up to 1,900 luminaire lumens at 4000K with a CRI>75. The luminaire will be rated at IP65.

Dimensions



Specifications

All units of measurement in mm.

Weight	4.8 kg
Material	Die-cast aluminium
Paint Finish	Anthracite grey (RAL 7016)

Code	Power	Light Source	Lumen Output	Optic	CCT(K)	IP	Weight (kg)	Paint Finish	Product Type
LED									
AQ1015-STKGF	15W	LED	1400	Asymmetrical street light optic	4000	IP65	4.8	Anthracite grey (RAL 7016)	Fixed
AQ1015-STKGD	15W	LED	1400		4000	IP65	4.8	Anthracite grey (RAL 7016)	Dimmable
AQ1018-STKGF	20W	LED	1740		4000	IP65	4.8	Anthracite grey (RAL 7016)	Fixed
AQ1018-STKGD	20W	LED	1740		4000	IP65	4.8	Anthracite grey (RAL 7016)	Dimmable
AQ1015-OCKGF	15W	LED	1350	Asymmetrical pedestrian and cycle path optic (OC)	4000	IP65	4.8	Anthracite grey (RAL 7016)	Fixed
AQ1015-OCKGD	15W	LED	1350		4000	IP65	4.8	Anthracite grey (RAL 7016)	Dimmable
AQ1018-OCKGF	20W	LED	1670		4000	IP65	4.8	Anthracite grey (RAL 7016)	Fixed
AQ1018-OCKGD	20W	LED	1670		4000	IP65	4.8	Anthracite grey (RAL 7016)	Dimmable
AQ1015-SKGF	15W	LED	1350	Symmetrical urban light optic (S)	4000	IP65	4.8	Anthracite grey (RAL 7016)	Fixed
AQ1015-SKGD	15W	LED	1350		4000	IP65	4.8	Anthracite grey (RAL 7016)	Dimmable
AQ1018-SKGF	20W	LED	1670		4000	IP65	4.8	Anthracite grey (RAL 7016)	Fixed
AQ1018-SKGD	20W	LED	1670		4000	IP65	4.8	Anthracite grey (RAL 7016)	Dimmable
AQ1015-SPKGF	15W	LED	1500	Asymmetrical flood light optic (SP)	4000	IP65	4.8	Anthracite grey (RAL 7016)	Fixed
AQ1015-SPKGD	15W	LED	1500		4000	IP65	4.8	Anthracite grey (RAL 7016)	Dimmable
AQ1018-SPKGF	20W	LED	1900		4000	IP65	4.8	Anthracite grey (RAL 7016)	Fixed
AQ1018-SPKGD	20W	LED	1900		4000	IP65	4.8	Anthracite grey (RAL 7016)	Dimmable

Code	Power	Light Source	Lumen Output	Optic	CCT(K)	IP	Weight (kg)	Paint Finish	Product Type
Compact fluorescent									
AQ1032CFKG	32W	Compact Fluorescent	2400 (lamp lumens)	Asymmetrical flat glass	3000	IP65	4.8	Anthracite grey (RAL 7016)	Standard 32W
AQ1032CFKGEM	32W	Compact Fluorescent	2400 (lamp lumens)		3000	IP65	4.8	Anthracite grey (RAL 7016)	Emergency option
AQ1032CFKGEMPEC	32W	Compact Fluorescent	2400 (lamp lumens)		3000	IP65	4.8	Anthracite grey (RAL 7016)	Emergency option with photocell
AQ1032CFKGPEC	32W	Compact Fluorescent	2400 (lamp lumens)		3000	IP65	4.8	Anthracite grey (RAL 7016)	With photocell
AQ1042CFKG	42W	Compact Fluorescent	3200 (lamp lumens)		3000	IP65	4.8	Anthracite grey (RAL 7016)	Standard 42W
AQ1042CFKGEM	42W	Compact Fluorescent	3200 (lamp lumens)		3000	IP65	4.8	Anthracite grey (RAL 7016)	Emergency option
AQ1042CFKGEMPEC	42W	Compact Fluorescent	3200 (lamp lumens)		3000	IP65	4.8	Anthracite grey (RAL 7016)	Emergency option with photocell
AQ1042CFKGPEC	42W	Compact Fluorescent	3200 (lamp lumens)		3000	IP65	4.8	Anthracite grey (RAL 7016)	With photocell

Codes with **EM** at the end relate to emergency version of fitting

Codes with **PEC** at the end relate to photocell option

Accessories / Options

Photocell option See specification table

Emergency option See specification table