



# Kingfisher Lighting

## Datasheet

### Viva-City Pro

A modular, slimline, performance street lantern with improved efficacy and output. Viva-City Pro offers a choice of optics with asymmetrical distribution including an area optic.



#### Key Features

- Luminaire Lumens 1,995–22,900
- LED Lumens 2,130–23,000
- Power 15W–180W
- Luminaire efficacy up to 135 lm/W
- 4000K, CRI >70
- Lifetime >50,000hr
- Post-top 60mm, Side-entry 60mm



LED	IP66	IK10	DIM		Controls Compatible
-----	------	------	-----	--	---------------------

#### Optics

<b>Viva-City Pro</b>	Asymmetrical
----------------------	--------------

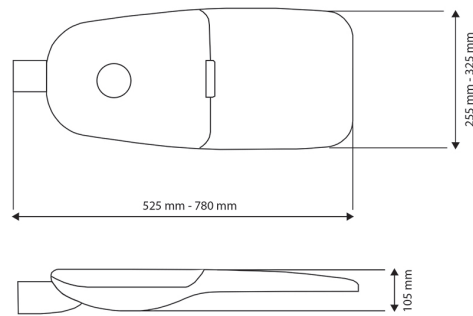
#### Applications

- Street lighting
- Urban environment
- Parks & civic areas
- Car parks
- Highways

## Specification Text

The luminaire shall be manufactured from high pressure die-cast aluminium. It shall have a luminous efficacy up to 135 lm/W and will be capable of producing up to 22,900 luminaire lumens at 4000K with a CRI>70. The luminaire will be rated at IP66 and IK10.

## Dimensions



## Specifications

Weight	5.20-9.60 kg
Windage	0.106-0.205m <sup>2</sup>
Material	Die-cast aluminium
Paint Finish	Anthracite grey

Code	Power	Light Source	Luminaire Lumens	Optic	CCT(K)	IP	IK	Weight (kg)	Paint Finish	Product Type
VCYP-T3A-4.3-15D	15W	LED	1995	Asymmetrical T3A	4000	IP66	IK10	5.20	Anthracite grey	Dimmable
VCYP-T3A-4.3-15DPEC	15W	LED	1995		4000	IP66	IK10	5.30	Anthracite grey	With photocell
VCYP-T3A-4.8-40D	40W	LED	5400		4000	IP66	IK10	6.50	Anthracite grey	Dimmable
VCYP-T3A-4.8-40DPEC	40W	LED	5400		4000	IP66	IK10	6.60	Anthracite grey	With photocell
VCYP-T3A-4.8-60D	60W	LED	7580		4000	IP66	IK10	6.60	Anthracite grey	Dimmable
VCYP-T3A-4.8-60DPEC	60W	LED	7580		4000	IP66	IK10	6.70	Anthracite grey	With photocell
VCYP-T3A-4.8-80D	80W	LED	10650		4000	IP66	IK10	6.70	Anthracite grey	Dimmable
VCYP-T3A-4.8-80DPEC	80W	LED	10650		4000	IP66	IK10	6.80	Anthracite grey	With photocell
VCYP-T3A-4.6-120D	120W	LED	16250		4000	IP66	IK10	9.40	Anthracite grey	Dimmable
VCYP-T3A-4.6-120DPEC	120W	LED	16250		4000	IP66	IK10	9.50	Anthracite grey	With photocell
VCYP-T3A-4.8-180D	180W	LED	22900		4000	IP66	IK10	9.50	Anthracite grey	Dimmable
VCYP-T3A-4.8-180DPEC	180W	LED	22900		4000	IP66	IK10	9.60	Anthracite grey	With photocell
VCYP-T4A-4.3-15D	15W	LED	1995	Asymmetrical T4A	4000	IP66	IK10	6.10	Anthracite grey	Dimmable
VCYP-T4A-4.3-15DPEC	15W	LED	1995		4000	IP66	IK10	6.10	Anthracite grey	With photocell
VCYP-T4A-4.8-40D	40W	LED	5400		4000	IP66	IK10	6.50	Anthracite grey	Dimmable
VCYP-T4A-4.8-40DPEC	40W	LED	5400		4000	IP66	IK10	6.60	Anthracite grey	With photocell
VCY-T4A-4.8-60D	60W	LED	7580		4000	IP66	IK10	6.60	Anthracite grey	Dimmable
VCY-T4A-4.8-60DPEC	60W	LED	7580		4000	IP66	IK10	6.70	Anthracite grey	With photocell
VCYP-T4A-4.8-80D	80W	LED	10650		4000	IP66	IK10	7.70	Anthracite grey	Dimmable
VCYP-T4A-4.8-80DPEC	80W	LED	10650		4000	IP66	IK10	7.70	Anthracite grey	With photocell
VCYP-T4A-4.6-120D	120W	LED	16250		4000	IP66	IK10	10.50	Anthracite grey	Dimmable
VCYP-T4A-4.6-120DPEC	120W	LED	16250		4000	IP66	IK10	10.50	Anthracite grey	With photocell
VCYP-T4A-4.8-180D	180W	LED	22900		4000	IP66	IK10	10.70	Anthracite grey	Dimmable
VCYP-T4A-4.8-180DPEC	180W	LED	22900		4000	IP66	IK10	10.70	Anthracite grey	With photocell

Codes with **PEC** at the end relate to photocell option

## Accessories / Options

Photocell option	See specification table
Fixed or dimmable option	See specification table