

DYNAMIS™

Raising the game in
sports lighting





The challenge of sports lighting

Modern sports lighting has to do more than deliver high light levels. Today's venues need lighting that balances performance, visual comfort and control, helping to support play, reduce spill light and create schemes that are easier to manage over time. Whether illuminating a training ground, community facility or larger sporting venue, the challenge is to provide reliable light where it is needed while maintaining consistency, limiting visual disruption and responding to the practical demands of the site.





Introducing DYNAMIS

Combining high performance with precise optical control and a design focused on practical use, DYNAMIS is a sports lighting solution designed to support modern venues and demanding sports environments with confidence.

Engineered to balance performance, visual comfort and control, DYNAMIS helps deliver reliable illumination where it is needed while supporting a more considered visual environment beyond the field of play. The result is greater confidence for specifiers, improved flexibility for operators and lighting that is better suited to the demands of modern sport.

Applications



Sports stadiums



Tennis courts



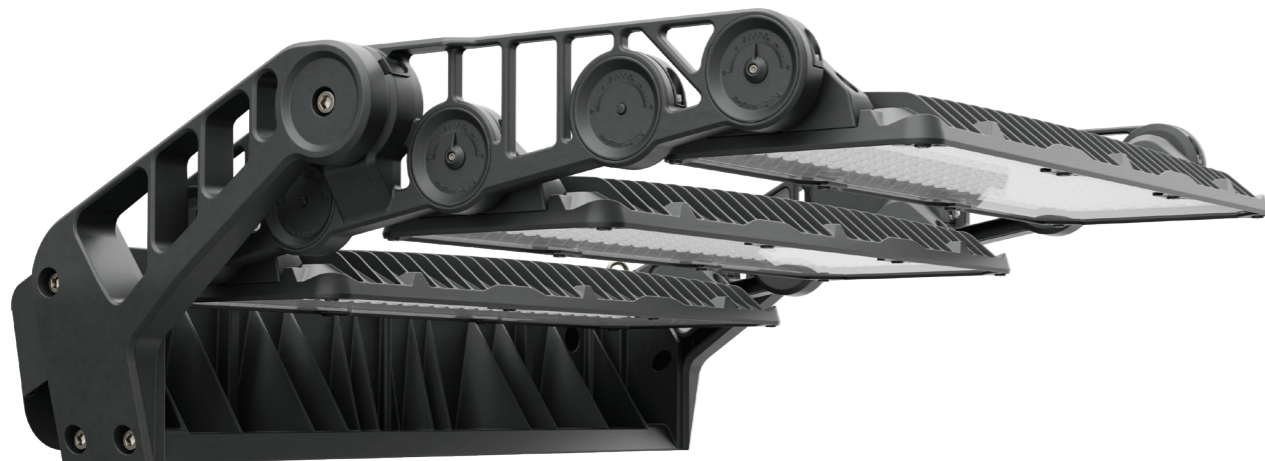
Sports fields



Skate parks



MUGA facilities



Uniform illumination

With precise optical control, DYNAMIS helps deliver consistent, uniform illumination across the field of play, supporting visibility and performance while reducing unwanted spill beyond the target area.



Controlled visual comfort

Designed to reduce glare and control the direction of light, DYNAMIS helps create a more comfortable visual environment for players, spectators and surrounding areas.



Scalable performance

Available across different configurations, DYNAMIS gives specifiers the flexibility to select the right performance package for the project, from everyday sports facilities to more demanding applications.



TV broadcast-ready

DYNAMIS delivers flicker-free light for televised sport, recording and slow-motion capture, helping reduce the risk of visible flicker or distorted imagery during key moments.



Built to last

Built from robust, high-quality materials, DYNAMIS is designed for demanding sports lighting environments, helping deliver reliable performance and long-term durability in exposed installations.





Range overview

The DYNAMIS range has been developed to give specifiers greater flexibility across sports lighting projects. Offered in DYNAMIS Pro and DYNAMIS Eco, it combines high performance with configurations to suit different site requirements, lighting levels and budgets.

DYNAMIS Pro

Available in 2 or 3 module configurations, DYNAMIS Pro features a premium bracket with integrated cabling and precise module tilting, offering a clean, robust solution for demanding sports lighting projects.



DYNAMIS Pro 2

Lumen range
173,000 lm

Power range
1,042 W

Colour temperature
2700K / 4000K / 5000K



DYNAMIS Pro 3

Lumen Range
260,000 lm

Power Range
1,563 W

Colour Temperature
2700K / 4000K / 5000K

DYNAMIS Eco

Available in 2 or 3 module configurations, DYNAMIS Eco delivers the same lighting performance with a simpler bracket design, offering a practical solution for budget-conscious sports lighting projects.



DYNAMIS Eco 2

Lumen range
173,000 lm

Power range
1,042 W

Colour temperature
2700K / 4000K / 5000K



DYNAMIS Eco 3

Lumen Range
260,000 lm

Power Range
1,563 W

Colour Temperature
2700K / 4000K / 5000K



Design features

DYNAMIS is offered with a range of design features to support performance, control and long-term reliability across a wide selection of sports lighting applications.



Optional light shields

Optional visors provide precise light cut-off, while back shields help reduce unwanted spill light for greater control in sensitive locations.

Modular design

Individual modules within the same luminaire can be specified with different light distributions, helping tailor coverage to the application.

Dark Sky friendly

With 2700K options and 0% ULOR when modules are set horizontally, DYNAMIS helps reduce upward light and support schemes in sensitive locations.



Durable construction

With IP66 and IK08 protection, DYNAMIS is designed for demanding outdoor sports lighting environments, helping deliver long-term reliability.

Precision optics

Available with two or three modules, DYNAMIS can be configured to suit different sports applications, lighting levels and site requirements.

Integrated wiring

DYNAMIS Pro features wiring concealed within the frame, helping to protect cables from exposure while creating a more refined appearance.



Zhaga control expansion

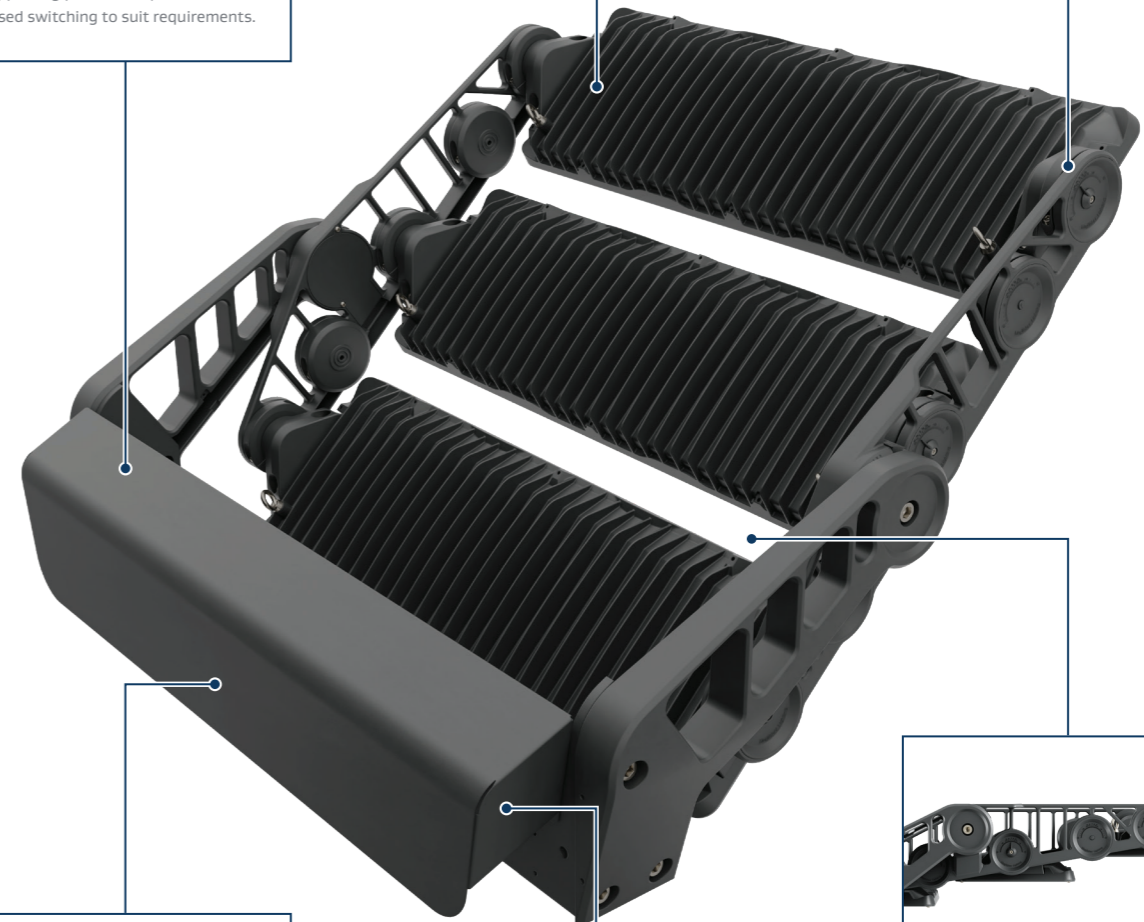
An optional Zhaga enclosure provides upper and lower Zhaga sockets, supporting photocell input and time-based switching to suit requirements.

Thermally optimised design

Separate LED modules with integrated cooling fins improve airflow and thermal management, supporting higher output and long-term reliability.

Adjustable modules

Independently adjustable modules support accurate alignment and fine-tuned control on site, helping optimise coverage and improve uniformity.



Covered driver enclosure

A covered driver compartment helps protect key electrical components, supporting long-term reliability in demanding outdoor environments.

Advanced driver control

Programmable D4i-certified driver that supports DALI-2 or DMX-RDM, giving specifiers the flexibility to select the right control option for the project.

Low windage design

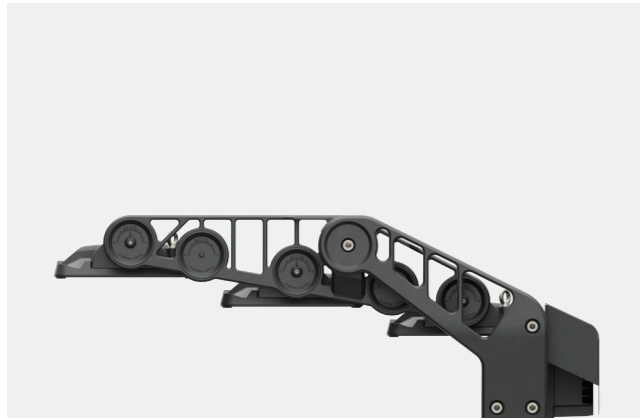
A low profile body, open frame and separated modules help to reduce wind resistance on mast-mounted installations.



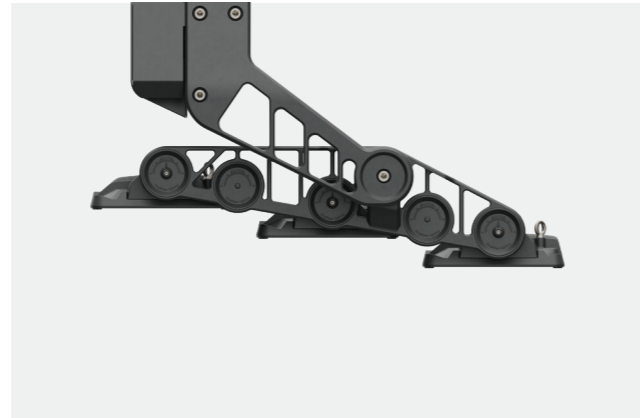


Mounting positions

DYNAMIS features a fully articulated bracket designed to support both overslung and underslung mounting arrangements. This flexibility helps specifiers adapt the luminaire to different mast types, site layouts and aiming requirements.



Overslung



Underslung

Aiming flexibility

DYNAMIS Pro and DYNAMIS Eco feature clear aiming markings to support accurate setup and repeatable alignment on site. Both versions allow bracket and module adjustment, with Pro offering finer module control for more precise beam positioning.



DYNAMIS Pro

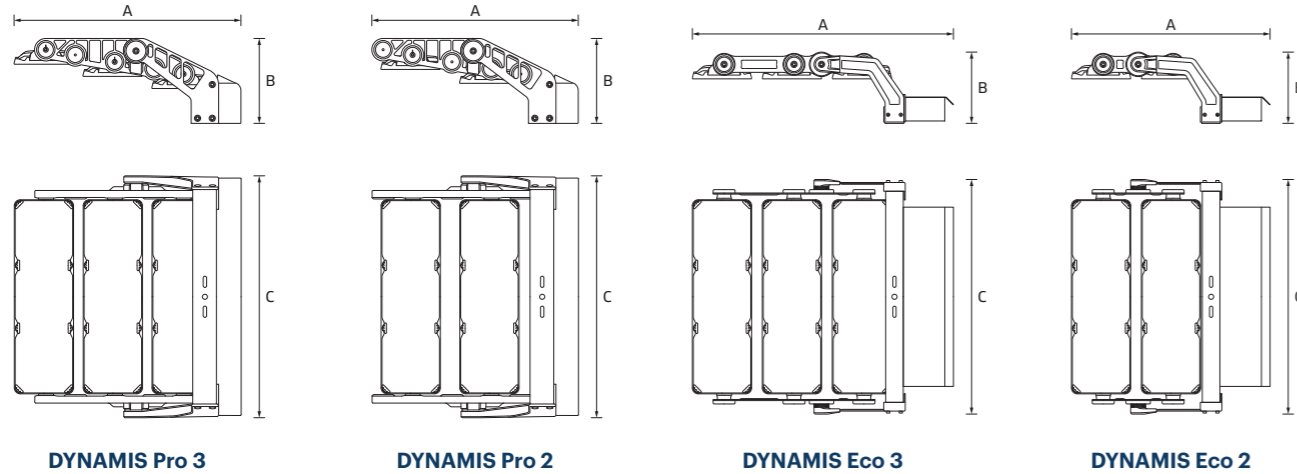


DYNAMIS Eco





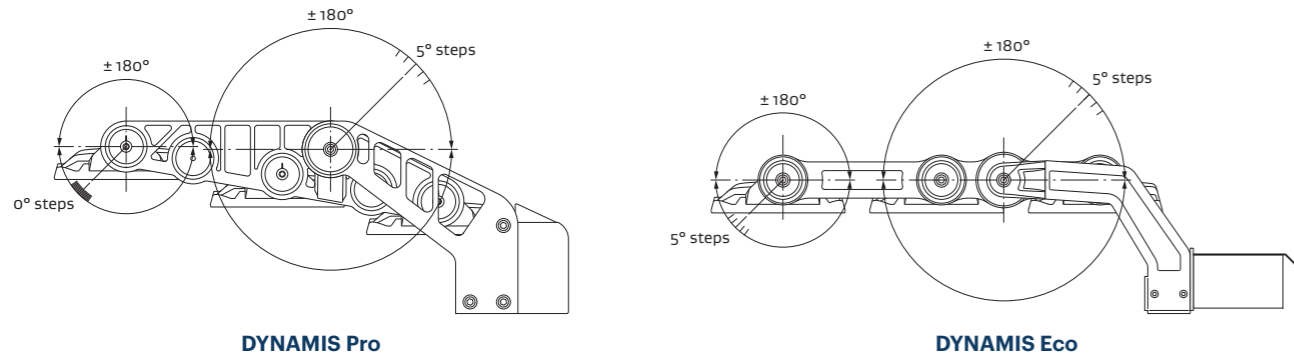
Technical data



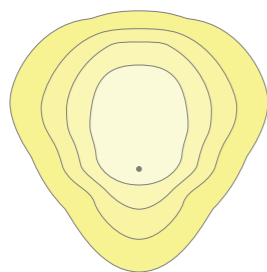
Model	Dimensions (mm)			Weight (kg)	Windage (m ²)
	A	B	C		
DYNAMIS Pro 3	909	340	967	43.0	0.11 - 0.26
DYNAMIS Pro 2	827	340	967	35.0	0.10 - 0.26

Model	Dimensions (mm)			Weight (kg)	Windage (m ²)
	A	B	C		
DYNAMIS Eco 3	1045	285	940	39.6	0.10 - 0.11
DYNAMIS Eco 2	795	285	940	31.1	0.07 - 0.11

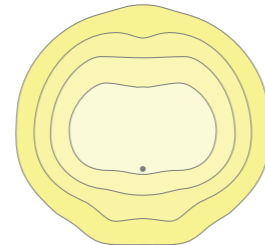
Bracket & Module Rotation



Light Distributions



Narrow Flood Optic



Wide Flood Optic

Product codes

Code	Power (W)	Lumens (lm)	Drive Current (mA)	Configured Optics	CCT (K)
DYNAMIS PRO 3					
DYP3-M111-750-1563D-01	1563	257,610	3 x 2000	MOD 1 Narrow Flood Optic MOD 2 Narrow Flood Optic MOD 3 Narrow Flood Optic	5000
DYP3-M112-750-1563D-01	1563	258,468	3 x 2000	MOD 1 Narrow Flood Optic MOD 2 Narrow Flood Optic MOD 3 Wide Flood Optic	5000
DYP3-M122-750-1563D-01	1563	259,326	3 x 2000	MOD 1 Narrow Flood Optic MOD 2 Wide Flood Optic MOD 3 Wide Flood Optic	5000
DYP3-M222-750-1563D-01	1563	260,184	3 x 2000	MOD 1 Wide Flood Optic MOD 2 Wide Flood Optic MOD 3 Wide Flood Optic	5000
DYNAMIS PRO 2					
DYP2-M11-750-1042D-01	1042	171,740	2 x 2000	MOD 1 Narrow Flood Optic MOD 2 Narrow Flood Optic	5000
DYP2-M12-750-1042D-01	1042	172,598	2 x 2000	MOD 1 Narrow Flood Optic MOD 2 Wide Flood Optic	5000
DYP2-M22-750-1042D-01	1042	173,456	2 x 2000	MOD 1 Wide Flood Optic MOD 2 Wide Flood Optic	5000

Code	Power (W)	Lumens (lm)	Drive Current (mA)	Configured Optics	CCT (K)
DYNAMIS ECO 3					
DYE3-M111-750-1563D-01	1563	257,610	3 x 2000	MOD 1 Narrow Flood Optic MOD 2 Narrow Flood Optic MOD 3 Narrow Flood Optic	5000
DYE3-M112-750-1563D-01	1563	258,468	3 x 2000	MOD 1 Narrow Flood Optic MOD 2 Narrow Flood Optic MOD 3 Wide Flood Optic	5000
DYE3-M122-750-1563D-01	1563	259,326	3 x 2000	MOD 1 Narrow Flood Optic MOD 2 Wide Flood Optic MOD 3 Wide Flood Optic	5000
DYE3-M222-750-1563D-01	1563	260,184	3 x 2000	MOD 1 Wide Flood Optic MOD 2 Wide Flood Optic MOD 3 Wide Flood Optic	5000
DYNAMIS ECO 2					
DYE2-M11-750-1042D-01	1042	171,740	2 x 2000	MOD 1 Narrow Flood Optic MOD 2 Narrow Flood Optic	5000
DYE2-M12-750-1042D-01	1042	172,598	2 x 2000	MOD 1 Narrow Flood Optic MOD 2 Wide Flood Optic	5000
DYE2-M22-750-1042D-01	1042	173,456	2 x 2000	MOD 1 Wide Flood Optic MOD 2 Wide Flood Optic	5000

For alternative configurations, please contact Kingfisher Lighting.

Key features

Precise optical control to support uniform illumination across the field of play and reduce unwanted spill light

Reduced glare and controlled light direction to support visual comfort for players, spectators and surrounding areas

Scalable performance with 2 and 3 module configurations to suit different lighting levels, site requirements and applications

TV broadcast-ready, with low-flicker light to support televised sport, recording and slow-motion capture

Durable construction with IP66 and IK08 protection for long-term reliability in exposed sports lighting environments

Luminaire lumens

2 Module: 173,000 lm (max)

3 Module: 260,000 lm (max)

Power

2 Module: 1,042 W

3 Module: 1,563 W

Luminaire efficacy

Up to 166lm/W

Drive current

2 Module: 2 x 2000mA

3 Module: 3 x 2000mA

Lifetime

> 100,000 hours L90

Colour temperature

2700K / 4000K / 5000K

Colour rendering index

> 70Ra

Mounting

Stirrup bracket

Tilt / Inclination

Central pivot: $\pm 180^\circ$ (5° increments)

Module pivot (DYNAMIS Pro): (0° increments)

Module pivot (DYNAMIS Eco): $\pm 180^\circ$ (5° increments)

Control

Dimming: DALI-2 / DMX-RDM

Dimming range: 0.4% to 100%

Switching: On/Off (via Zhaga Photocell)

Flicker

$\leq 1\%$ (at 100% load)

Colours

RAL 7016 Anthracite grey

Materials

Body: High pressure die-cast aluminium

Glazing: Toughened glass

Seals: Silicone

Finish: Marine-grade coating

Accessories

External cut-off visors / Rear light shields

Zhaga expansion enclosure

Installation & Maintenance

Driver: Remote driver option (up to 300m)

Driver temperature range: -40°C to $+50^\circ\text{C}$

Surge protection: 10kV



Kingfisher Lighting

Kingfisher House, Crown Farm Way, Crown Farm Industrial Park, NG19 0FT
+44 (0) 1623 415900 | sales@kingfisherlighting.com | kingfisherlighting.com

