



# Kingfisher Lighting

A division of the LUCECO group



## Datasheet

# DYNAMIS Eco

### Specification Text

The DYNAMIS Eco shall be manufactured from high-pressure die-cast aluminium with a RAL 7016 Anthracite Grey Finish. It shall have a power output of up to 1,563.0W, with an efficacy of 166lm/W. It shall produce between 171,740 - 260,184 luminaire lumens.

The luminaire shall utilise modular optical systems, enabling individual optic selection per module to achieve precise and application-specific light distribution. This allows for optimised uniformity and control across floodlighting and sports lighting applications. It shall be available in multiple colour temperatures and be rated IP66 and IK08.

### Specification

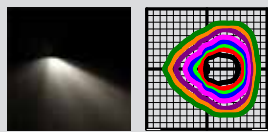
Weight:	31.1 kg - 39.6 kg
Windage:	
DYNAMIS ECO 2	0.07 m <sup>2</sup> - 0.11 m <sup>2</sup>
DYNAMIS ECO 3	0.10 m <sup>2</sup> - 0.11 m <sup>2</sup>
Material:	Die-cast Aluminium
Paint Finish:	RAL 7016 Anthracite Grey

### Product Description

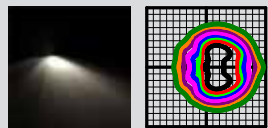
The DYNAMIS Eco is a high-performance modular floodlighting solution designed to deliver precise, adaptable illumination across demanding environments.

### Key Features

- 1,042.0W - 1,563.0W
- 171,740 - 260,184 Luminaire Lumens
- Efficacy of up to 166.0 lm/W
- 2700K, 4000K, 5000K, CRI>70
- IP66, IK08
- Lifetime > 100,000 hrs, L90, B10
- Hood & Shield Options
- Marine Grade as Standard
- Low Maintenance Costs
- Flicker Free/ HDTV Ready



Narrow Flood Optic



Wide Flood Optic

IP66	IK08	100,000 hrs LIFETIME	
5 YEARS WARRANTY	Marine Grade Finish	Control Compatible	

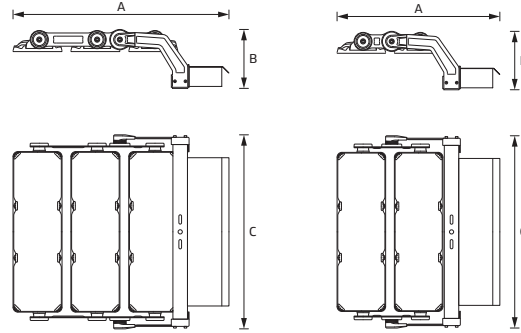
## Other Options Available

Contact for further details

- Colour Temperature Options
- Remote Driver Option (upon request)

Body Type	A	B	C
DYNAMIS ECO 3	1045	285	940
DYNAMIS ECO 2	795	285	940

All measurements in mm



## Mounting Options

- Stirrup Mounted

Code	Power (W)	Luminaire Lumens (lm)	Drive Current (mA)	Configurable Optics	CCT(K)	IP	IK	Weight (kg)			
								Total	Fitting	Driver	
<b>DYNAMIS ECO 3</b>											
DYE3-M111-750-1563D-01	1563.0	257,610	3 x 2000	MOD 1	Narrow Flood Optic	5000	IP66	IK08	39.6	33.3	6.3
				MOD 2	Narrow Flood Optic				39.6	33.3	6.3
				MOD 3	Narrow Flood Optic				39.6	33.3	6.3
DYE3-M112-750-1563D-01	1563.0	258,468	3 x 2000	MOD 1	Narrow Flood Optic	5000	IP66	IK08	39.6	33.3	6.3
				MOD 2	Narrow Flood Optic				39.6	33.3	6.3
				MOD 3	Wide Flood Optic				39.6	33.3	6.3
DYE3-M122-750-1563D-01	1563.0	259,326	3 x 2000	MOD 1	Narrow Flood Optic	5000	IP66	IK08	39.6	33.3	6.3
				MOD 2	Wide Flood Optic				39.6	33.3	6.3
				MOD 3	Wide Flood Optic				39.6	33.3	6.3
DYE3-M222-750-1563D-01	1563.0	260,184	3 x 2000	MOD 1	Wide Flood Optic	5000	IP66	IK08	39.6	33.3	6.3
				MOD 2	Wide Flood Optic						
				MOD 3	Wide Flood Optic						
<b>DYNAMIS ECO 2</b>											
DYE2-M111-750-1042D-01	1042.0	171,740	2 x 2000	MOD 1	Narrow Flood Optic	5000	IP66	IK08	31.1	24.8	6.3
				MOD 2	Narrow Flood Optic						
DYE2-M12-750-1042D-01	1042.0	172,598	2 x 2000	MOD 1	Narrow Flood Optic	5000	IP66	IK08	31.1	24.8	6.3
				MOD 2	Wide Flood Optic						
DYE2-M22-750-1042D-01	1042.0	173,456	2 x 2000	MOD 1	Wide Flood Optic	5000	IP66	IK08	31.1	24.8	6.3
				MOD 2	Wide Flood Optic						