



# Kingfisher Lighting

A division of the LUCECO group



## Datasheet

# DYNAMIS Pro

### Specification Text

The DYNAMIS Series shall be manufactured from high-pressure die-cast aluminium with a RAL 7016 Anthracite Grey Finish. It shall have a power output of up to 1,563.0W, with an efficacy of 166lm/W. It shall produce between 171,740 - 260,184 luminaire lumens.

The luminaire shall utilise modular optical systems, enabling individual optic selection per module to achieve precise and application-specific light distribution. This allows for optimised uniformity and control across floodlighting and sports lighting applications. It shall be available in multiple colour temperatures and be rated IP66 and IK08.

### Specification

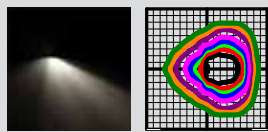
Weight:	35.0 kg - 43.0 kg
Windage:	0.11 m <sup>2</sup> - 0.26m <sup>2</sup>
Material:	Die-cast Aluminium
Paint Finish:	RAL 7016 Anthracite Grey

### Product Description

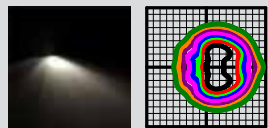
The DYNAMIS Pro is a high-performance modular floodlighting solution designed to deliver precise, adaptable illumination across demanding environments.

### Key Features

- 1,042.0W - 1,563.0W
- 171,740 - 260,184 Luminaire Lumens
- Efficacy of up to 166.0 lm/W
- 2700K, 4000K, 5000K, CRI>70
- IP66, IK08
- Lifetime > 100,000 hrs, L90, B10
- Hood & Shield Options
- Marine Grade as Standard
- Low Maintenance Costs
- Flicker Free/ HDTV Ready



Narrow Flood Optic



Wide Flood Optic

IP66	IK08	100,000 hrs LIFETIME	
5 YEARS WARRANTY	Marine Grade Finish	Control Compatible	

## Other Options Available

Contact for further details

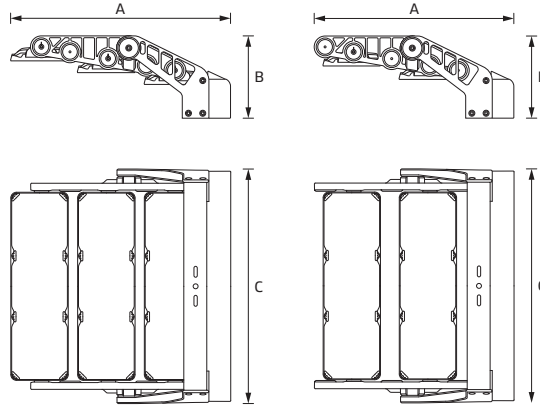
- Colour Temperature Options
- Remote Driver Option (upon request)

## Mounting Options

- Stirrup Mounted

Body Type	A	B	C
DYNAMIS PRO 3	967	340	909
DYNAMIS PRO 2	967	340	827

All measurements in mm



Code	Power (W)	Luminaire Lumens (lm)	Drive Current (mA)	Configurable Optics	CCT(K)	IP	IK	Weight (kg)			
								Total	Fitting	Driver	
<b>DYNAMIS PRO 3</b>											
DYP3-M111-750-1563D-01	1563.0	257,610	3 x 2000	MOD 1 Narrow Flood Optic MOD 2 Narrow Flood Optic MOD 3 Narrow Flood Optic	5000	IP66	IK08	43.0	36.7	6.3	
DYP3-M112-750-1563D-01	1563.0	258,468	3 x 2000	MOD 1 Narrow Flood Optic MOD 2 Narrow Flood Optic MOD 3 Wide Flood Optic	5000	IP66	IK08	43.0	36.7	6.3	
DYP3-M122-750-1563D-01	1563.0	259,326	3 x 2000	MOD 1 Narrow Flood Optic MOD 2 Wide Flood Optic MOD 3 Wide Flood Optic	5000	IP66	IK08	43.0	36.7	6.3	
DYP3-M222-750-1563D-01	1563.0	260,184	3 x 2000	MOD 1 Wide Flood Optic MOD 2 Wide Flood Optic MOD 3 Wide Flood Optic	5000	IP66	IK08	43.0	36.7	6.3	
<b>DYNAMIS PRO 2</b>											
DYP2-M11-750-1042D-01	1042.0	171,740	2 x 2000	MOD 1 Narrow Flood Optic MOD 2 Narrow Flood Optic	5000	IP66	IK08	35.0	28.7	6.3	
DYP2-M12-750-1042D-01	1042.0	172,598	2 x 2000	MOD 1 Narrow Flood Optic MOD 2 Wide Flood Optic	5000	IP66	IK08	35.0	28.7	6.3	
DYP2-M22-750-1042D-01	1042.0	173,456	2 x 2000	MOD 1 Wide Flood Optic MOD 2 Wide Flood Optic	5000	IP66	IK08	35.0	28.7	6.3	