



Kingfisher Lighting

Datasheet

Soul 180 & Soul 180 Urban

SOUL 180 is a stylish indirect, circular bollard and light pole. Available in three heights it suits a variety of amenity and urban lighting applications.



Key Features

- Luminaire Lumens 1,450-1,900
- 700mA
- Power 19W-24W
- Luminaire efficacy up to 79.2 lm/W
- 3000K, 4000K, CRI >70
- Lifetime >50,000hr L80
- Bollard & light pole versions, 1m, 3m & 3.5m










Optics

Soul 180	Radial illumination
-----------------	---------------------

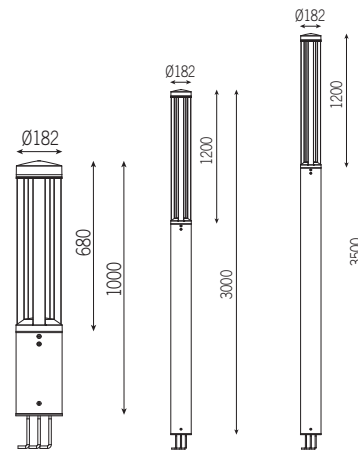
Applications

- Urban environment
- Residential
- Hospitality & Leisure
- Retail
- Commercial
- Pathways & parks

Specification Text

The luminaire shall be manufactured from high pressure die-cast aluminium. It shall be capable of producing 1,450-1,900 luminaire lumens at 4,000K with a CRI >70. The luminaire will be rated at IP66.

Dimensions



All units of measurement in mm.

Specifications

Weight	8.5-25kg
Windage	0.18m ² (1,000mm high) 0.55m ² (3,000 high) 0.60m ² (3,500 high)
Material	Die-cast aluminium
Paint Finish	Graphite grey (RAL 7024) Aluminium/silver (RAL 9006)

Code	Power	Light Source	Source Lumens	Optic	CCT(K)	IP	IK	Weight (kg)	Paint Finish	Product Type
LED										
S6605-16 CEI (1,000mm)	19W	LED	1400	Radial clear screen	3000	IP66	IK07	8.50	Graphite grey	Bollard
S6605-21 CEI (1,000mm)	19W	LED	1400		3000	IP66	IK07	8.50	Silver	Bollard
S6606-16 CEI (1,000mm)	19W	LED	1400		4000	IP66	IK07	8.50	Graphite grey	Bollard
S6606-21 CEI (1,000mm)	19W	LED	1400		4000	IP66	IK07	8.50	Silver	Bollard
S6613-16 CEI (3,000mm)	24W	LED	1900	Radial clear screen	3000	IP66	IK07	22.50	Graphite grey	Light Pole
S6613-21 CEI (3,000mm)	24W	LED	1900		3000	IP66	IK07	22.50	Silver	Light Pole
S6614-16 CEI (3,000mm)	24W	LED	1900		4000	IP66	IK07	22.50	Graphite grey	Light Pole
S6614-21 CEI (3,000mm)	24W	LED	1900		4000	IP66	IK07	22.50	Silver	Light Pole
S6616-16 CEI (3,500mm)	24W	LED	1900		3000	IP66	IK07	25.00	Graphite grey	Light Pole
S6616-21 CEI (3,500mm)	24W	LED	1900		3000	IP66	IK07	25.00	Silver	Light Pole
S6617-16 CEI (3,500mm)	24W	LED	1900		4000	IP66	IK07	25.00	Graphite grey	Light Pole
S6617-21 CEI (3,500mm)	24W	LED	1900		4000	IP66	IK07	25.00	Silver	Light Pole

Accessories / Options

Paint finish options	Contact us for details
Colour temperature options	Contact us for details
Zinc plated anchorage	Included with S6613, S6614, S6616 & S6617
Dimming options	Contact us for details