

Datasheet

Kompass



Product Description

With mono-directional optics, Kompass creates a direct light beam to highlight specific areas of your scheme. The diffused output creates a soft illumination, free of glare.

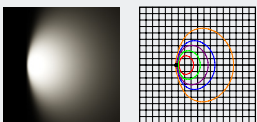
Specification Text

The luminaire shall be manufactured from high-pressure die-cast aluminium. It shall have an LED efficacy of up to 13 lm/W and will be capable of producing up to 150 luminaire lumens at 4000K with a CRI >80. It shall have an asymmetric forward throw optic and is rated at IP66 and IK10.

Specification

Weight: 8.0kg
 Windage: 0.12m²
 Material: Extruded Aluminium
 Paint finish: Graphite Grey Finish

Optics



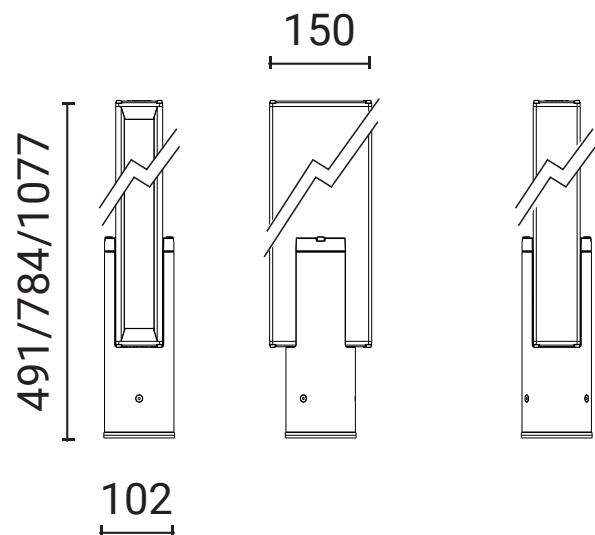
Asymmetrical One-Way

Key Features

- 12.0W
- 150 Luminaire Lumens
- Efficacy up to 13 lm/W
- 4000K, CRI >80
- Lifetime >60000hr, L80



Dimensions



Code	Power	Luminaire Lumens	Optic	CCT(K)	IP	IK	Weight kg	Paint Finish	Driver Included
KOM-1W-840-12-16	12.0	150	Asymmetrical One-way	4000	IP66	IK10	8.0	Graphite Grey Finish	Driver inc



Accessories & Options

Mounting Options

- Galvanized and painted steel base plate
[Contact for details](#)

Other Options

- Colour Temperature Options
- Paint Finish Options
- Bollard Height Options
[Contact for details](#)