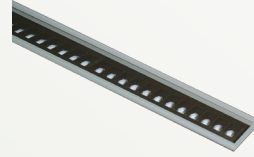


Datasheet



Krion-In

Product Description

Krion-In offers a sleek, modern design perfect for accenting architectural features. Installed flush, at ground level, this robust walk-over fitting can be used to create pathways, highlight scenes and offers excellent performance.

Specification Text

The luminaire shall be manufactured from high-pressure die-cast aluminium. It shall have an LED efficacy of up to 85 lm/W and will be capable of producing up to 6,600W luminaire lumens at 4000K with a CRI >80. It shall have an asymmetric forward throw optic and is rated at IP67 and IK10.

Specification

Weight: 2.4kg
 Material: Die-cast Aluminium
 Paint finish: Graphite Grey Finish

Optics



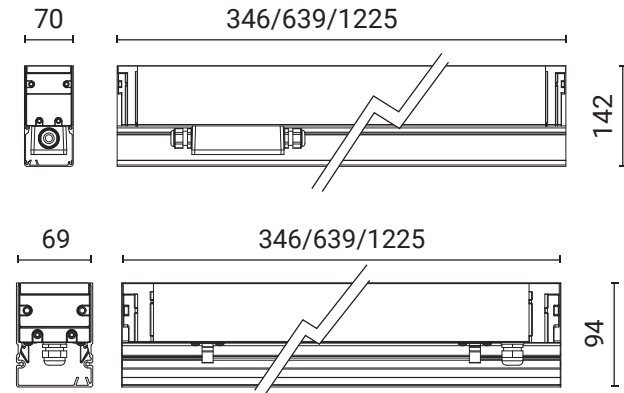
Key Features



- 39.0 - 81.0W
- 3,300 - 6,600 Luminaire Lumens
- Efficacy up to 85 lm/W
- 4000K, CRI >80
- Lifetime >60000hr, L80

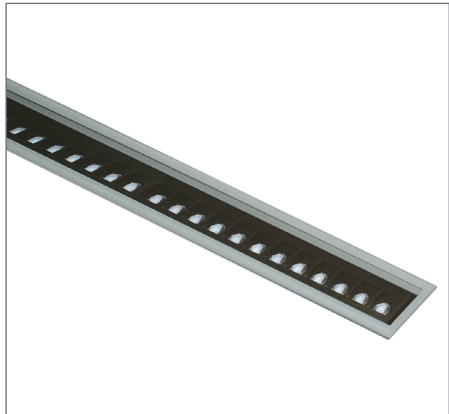


Dimensions





| Code | Power | Luminaire Lumens | Optic | CCT(K) | IP | IK | Weight kg | Paint Finish | Driver Included |
|---------------------|-------|------------------|-------------|--------|------|------|-----------|----------------------|-----------------|
| KRIN-SY28-840-39-21 | 39.0 | 3,300 | Symmetrical | 4000 | IP67 | IK10 | 2.4 | Graphite Grey Finish | Driver inc |
| KRIN-SY28-840-81-21 | 81.0 | 6,600 | Flood 28 ° | 4000 | IP67 | IK10 | 2.4 | Graphite Grey Finish | Driver inc |



Accessories & Options

Mounting Options

- Post Top 60-76mm
[Contact for details](#)

Other Options

- Constant Light Output
- Programmable
- Part Night Dimming
- Step Dimming
- Wireless Controls
- Colour Temperature Option
- Photocell Option
- Paint finish options
[Contact for details](#)

