

Datasheet

Miko Wall



Product Description

Miko is our stylish wall mounted fitting, offering a comfortable distribution. Pair with the Miko bollard for a uniform aesthetic.

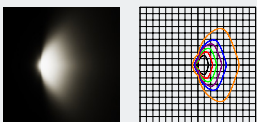
Specification Text

The luminaire shall be manufactured from high-pressure die-cast aluminium. It shall have an LED efficacy of up to 80 lm/W and will be capable of producing up to 800 luminaire lumens at 3000K with a CRI >80. It shall have an asymmetric forward throw optic and is rated at IP66 and IK08.

Specification

Weight: 1.5kg
 Windage: 0.03m²
 Material: Die-cast Aluminium
 Paint finish: Aluminium Silver Finish

Optics



Radial

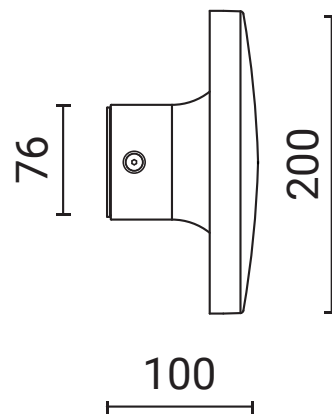
Key Features



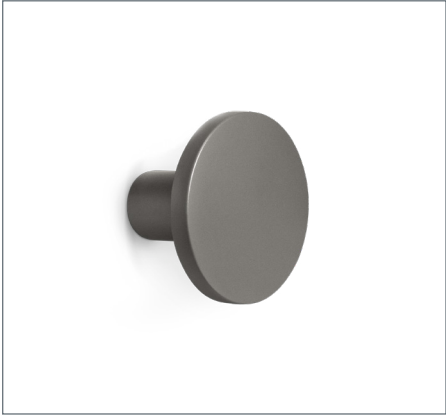
- 10.0W
- 800 Luminaire Lumens
- Efficacy up to 80 lm/W
- 3000K, CRI >80
- Lifetime >60000hr, L80



Dimensions



Code	Power	Luminaire Lumens	Optic	CCT(K)	IP	IK	Weight kg	Paint Finish	Driver Included
MIKW-SYR-830-10-21	10.0	800	Radial	3000	IP66	IK08	1.5	Aluminium Silver Finish	Driver inc



Accessories & Options

Mounting Options

- Wall Mounted
[Contact for details](#)

Other Options

- Colour Temperature Options
- Paint Finish Options
[Contact for details](#)

