

Datasheet

Civica



Product Description

This classic amenity luminaire is made from robust die-cast aluminium and is perfect for a wide range of applications.

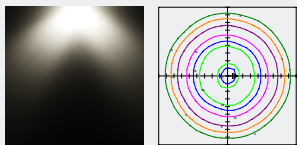
Specification Text

The luminaire shall be manufactured from high-pressure die-cast aluminium. It shall have an LED efficacy of up to 112.0 lm/W and will be capable of producing up to 6,700 luminaire lumens at 4000K with a CRI >70. It shall have an asymmetric forward throw optic and is rated at IP65 and IK08.

Specification

Weight: 7.5kg
 Windage: 0.15m²
 Material: Die-cast Aluminium
 Paint finish: RAL7016 Anthracite Grey Finish

Optics



Symmetrical 90° Optic

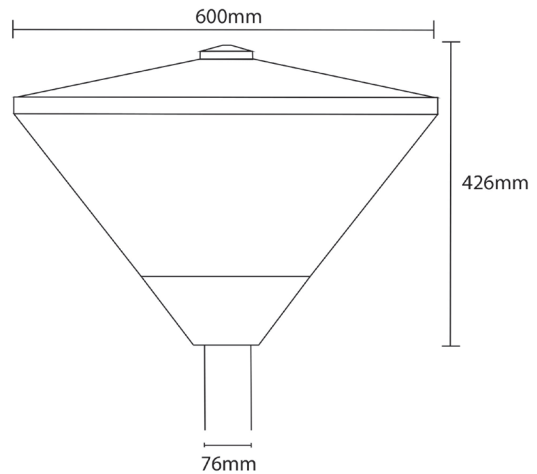
Key Features

- 40.0 - 60.0W
- 4,400 - 6,700 Luminaire Lumens
- Efficacy up to 112.0 lm/W
- 4000K, CRI >70
- Lifetime >100,000hr, L70

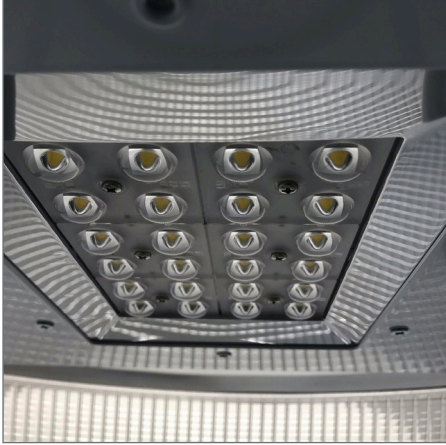


Dimensions

Civica 2.0



Code	Power	Luminaire Lumens	Drive Current	Optic	CCT(K)	IP	IK	Weight kg	Paint Finish	Driver Included
CIV40F	40.0	4,400	805	Symmetrical 90° Optic	4000	IP65	IK08	7.5	RAL7016 Anthracite Grey Finish	Driver inc
CIV60F	60.0	6,700	610		4000	IP65	IK08	7.5	RAL7016 Anthracite Grey Finish	Driver inc



Accessories & Options

Mounting Options

- Post Top 76mm
[Contact for details](#)

Other Options

- Part Night Dimming
- Colour Temperature Option
- Photocell Option
- Emergency Option
[Contact for details](#)

